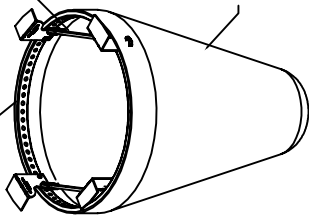


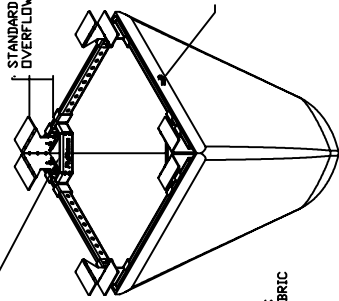
# FLEXSTORM CATCH-IT FILTERS FOR TEMPORARY INLET PROTECTION PRODUCT SELECTION AND SPECIFICATION DRAWING

11 GA GALVANIZED STEEL SUSPENSION SYSTEM



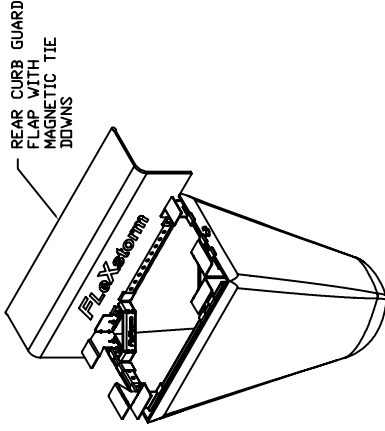
LIFT HANDLES

STANDARD 2" OVERFLOW AREA

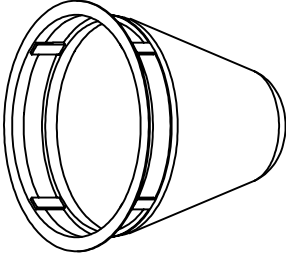


REPLACEABLE SEDIMENT BAGS WITH GEOTEXTILE FILTER FABRIC

STAINLESS STEEL CLAMPING BAND



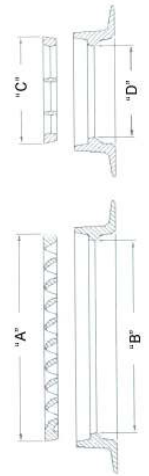
REAR CURB GUARD FLAP WITH MAGNETIC TIE DOWNS



TYPICAL ROUND INLET FILTER



TYPICAL RECTANGULAR INLET FILTER



COMBINATION INLET FILTER FOR CURB HOODS

STAINLESS STEEL ROUND INLET FILTERS FOR NYLOPLAST CASTINGS CATCH-ITS SPECIFIED W/ FX or FX-S BAGS

## NOTES:

- ALL FRAMING IS CONSTRUCTED OF CORROSION RESISTANT STEEL (ZINC PLATED OR GALVANIZED) FOR 7 YEAR MINIMUM SERVICE LIFE.
- UPON ORDERING CONFIRMATION OF THE DOT CALLOUT, PRECAST OR CASTING MAKE AND MODEL, OR DETAILED DIMENSIONAL FORMS MUST BE PROVIDED TO CONFIGURE AND ASSEMBLE YOUR CUSTOMIZED FLEXSTORM INLET FILTER. PART NUMBER ALONE IS NOT SUFFICIENT.
- FOR WRITTEN SPECIFICATIONS AND MAINTENANCE GUIDELINES VISIT [WWW.INLETFILTERS.COM](http://WWW.INLETFILTERS.COM)

## 1. IDENTIFY YOUR FRAME STYLE AND SIZE

| STYLE        | FRAME STYLE AND SIZE   | Frame P/N: |
|--------------|--|------------|
| ROUND        | Small Round (Up to 20.0" dia grates (A) dim)                                     | 62SRD      |
|              | Med Round (20.1" - 26.0" dia grates (A) up to 25" dia openings (B))              | 62MRD      |
|              | Large Round (26.1" - 32.0" dia grates (A) up to 30" openings (B))                | 62LRD      |
|              | XL Round (32.1" dia - 39" dia grates (A) up to 37" dia openings (B))             | 62XLRD     |
| RECT/SQUARE  | Small Rect / Square (up to 16" (B) x 16" (D) openings or 64" perimeter)          | 62SSQ      |
|              | Med Rect / Square (up to 24" (B) x 24" (D) openings or 96" perimeter)            | 62MSQ      |
|              | Large Rect / Square (up to 36" (B) x 24" (D) openings or 120" perimeter)         | 62LSQ      |
|              | XL Rect / Square (side by side 2 pc set to fit up to 48" (B) x 36" (D) openings) | 62XLSQ     |
| COMBO INLETS | Small Rect / Square (ref Rect sizing; shipped with Magnetic Curb Flaps)          | 62SCB      |
|              | Med Rect / Square (ref Rect sizing; shipped with Magnetic Curb Flaps)            | 62MxCB     |
|              | Large Rect / Square (ref Rect sizing; shipped with Magnetic Curb Flaps)          | 62LCB      |
|              | XL Rect / Square (ref Rect sizing; shipped with Magnetic Curb Flaps)             | 62XLCB     |
| NYLOPLAST    | 12" diameter Nyloplast castings (Stainless Steel Framing standard)               | 6212NY     |
|              | 15" diameter Nyloplast castings (Stainless Steel Framing standard)               | 6215NY     |
|              | 18" diameter Nyloplast castings (Stainless Steel Framing standard)               | 6218NY     |
|              | 24" diameter Nyloplast castings (Stainless Steel Framing standard)               | 6224NY     |
|              | 30" diameter Nyloplast castings (Stainless Steel Framing standard)               | 6230NY     |

## SPECIFICATIONS FOR STANDARD BAGS BY NOMINAL SIZE

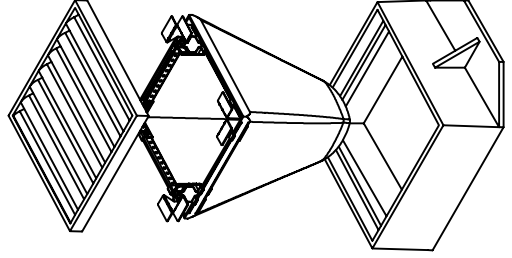
| Nominal Bag Size | Solids Storage (CuFt) | Filtered Flow Rate at 50% Max (GFS) |
|------------------|-----------------------|-------------------------------------|
| Small            | 1.6                   | 1.2                                 |
| Medium           | 2.1                   | 1.7                                 |
| Large            | 3.8                   | 2.7                                 |
| XL               | 4.2                   | 3.6                                 |

## 2. SELECT YOUR BAG PART NUMBER

| FLEXSTORM FILTER BAGS  | Clean Water Flow |               | Min A.O.S. (US Sieve) |
|------------------------|------------------|---------------|-----------------------|
|                        | STD Bag P/N      | Short Bag P/N |                       |
| FX: Standard Woven Bag | FX               | FX-S          | 200                   |
| IL: IDOT Non-Woven Bag | IL               | IL-S          | 145                   |
|                        |                  |               | 70                    |

## INSTALLATION:

- REMOVE GRATE
- DROP FLEXSTORM INLET FILTER ONTO LOAD BEARING LIP OF CASTING OR CONCRETE STRUCTURE
- REPLACE GRATE



## 3. CREATE YOUR FLEXSTORM INLET FILTER PART NUMBER

Frame P/N from Step 1.  Filter Bag P/N from Step 2.



ALL PRODUCTS MANUFACTURED BY INLET & PIPE PROTECTION, INC. A DIVISION OF ADS, INC.  
 WWW.INLETFILTERS.COM  
 (866) 287-8655 PH  
 (630) 355-3477 FX  
 INFO@INLETFILTERS.COM

|       |                    |     |
|-------|--------------------|-----|
| SCALE | DWG NO             | REV |
| C     | FLEXSTORM_CATCH_IT | A   |